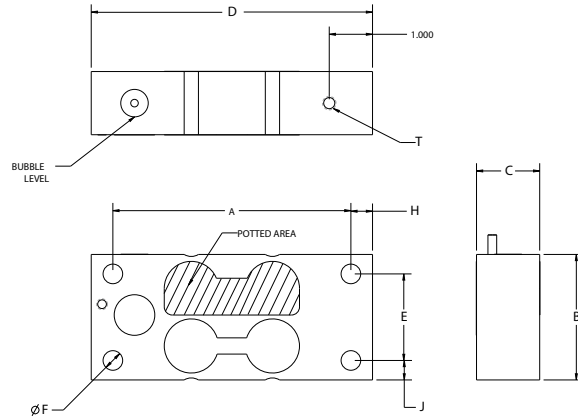
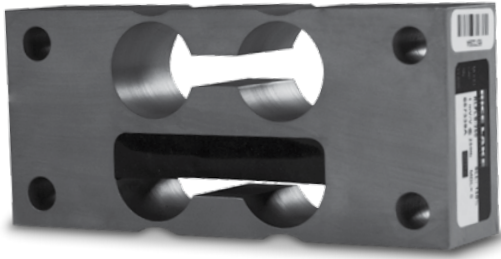


RLFLS Potted Single Point, Stainless Steel



SPECIFICATIONS

Full Scale Output: 1.0 mV/V +/- 10%	Temperature: 0° F-150° F -18° C-65° C	Linearity: 0.02% R.O.	Cable Color Code: Green + Excitation Black - Excitation Red + Signal White - Signal
Output Resistance: 350 ohms +/- 3	Safe Overload: 150% full scale	Seal Type: Potted, IP67	Warranty: Two-year limited warranty
Input Resistance: 385 ohms +/- 10	Rated Excitation: 5-15 VDC	Insulation Resistance: 5000 megohms	
Material/Finish: Stainless steel	Hysteresis: 0.02% R.O.	Cable Length: 10 ft/3.1 m	

DIMENSIONS

RATED CAPACITY	A	B	C	D	E	F	H	J	T
lb/inches									
50-75	5.50	2.90	.735	6.50	2.00	.453	.50	.45	5/16-18 UNC x .50
125-250	5.50	2.90	1.46	6.50	2.00	.453	.50	.45	5/16-18 UNC x .50
625	7.00	3.75	1.91	8.00	2.75	.520	.50	.50	—

ORDER INFORMATION

LOAD RATING		PART #	PRICE
50 lb	22.7 kg	125612	Consult
75 lb	34.0 kg	125613	Consult
125 lb	56.9 kg	125614	Consult
250 lb	113.4 kg	125616	Consult
625 lb	283.4 kg	125617	Consult

INTERCHANGEABLE PRODUCTS

MANUFACTURER	MODEL
Avery Weigh-Tronix®	FLS

RICE LAKE WEIGHING SYSTEMS